



Silentia+
SALICE

USA CDN



Silentia+ 100 Series

For small or light doors, 105° opening

page 9



Silentia+ 200 Series

Series for thick doors or 0 protrusion, 94° and 155° opening

page 17



Silentia+ 700 Series

110° opening

page 27



Accessories

page 37



The state of the soft-close art.

Silentia+ allows a perfect and constant closing of the door in any temperature, use and application.

The innovative soft-close technology guarantees excellent performances to the complete range of hinges. Silentia+ includes numerous technological elements in the required spaces and maintains the aesthetics of the hinges of the first generation.



Silentia+ Features and Benefits

- **Integrated soft close by means of twin fluid dampers**
- **Adjustment switch to set a comfortable soft close action**
- **Impervious to temperature extremes**
- **Very smooth opening with minimal resistance**
- **Patented compensating parallel side adjustment**
- **Available in the 700 Series, 100 Series and 200 Series**
- **Available in all Salice fixing types (Screw, Dowel, Rapido, Logica)**
- **Available in Nickel or Titanium finish**
- **Exceeds ANSI/BHMA standards A156.9-2015**
- **Limited Lifetime Warranty**

Second generation

Integrated soft-close technology with two fluid dampers.

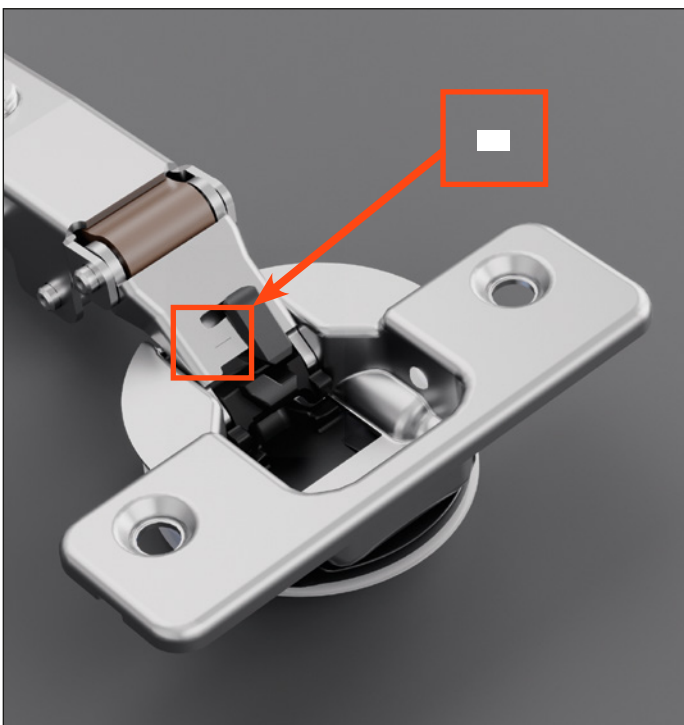
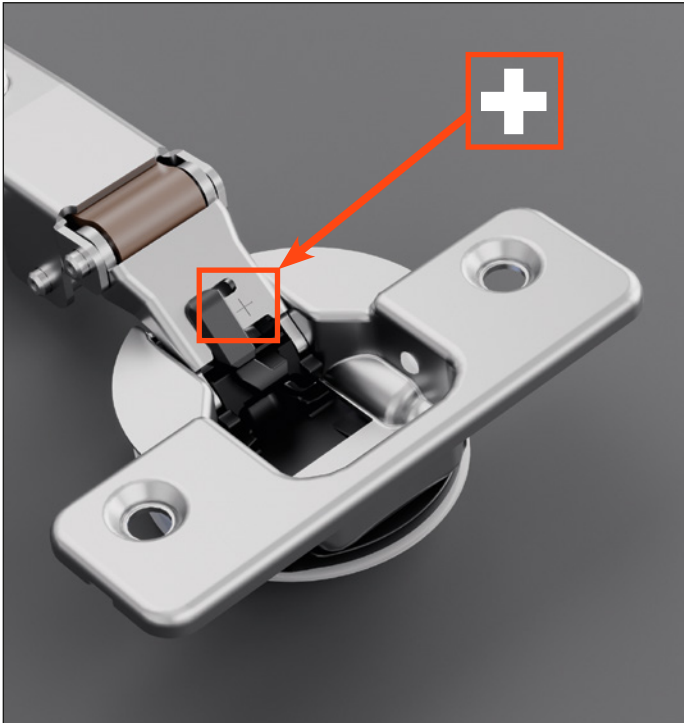
The two integrated dampers guarantee an exceptional consistency of the decelerating strength providing a perfect closing to any kind of door, size and application.



Always-optimal soft-close action

Silentia+ is also equipped with the innovative switch to adjust the soft close action. The activation of this switch allows, even with special door sizes, to obtain the ideal decelerating speed.

With the adjustment switch set showing the +, the soft close engages at 30° and with the - adjustment switch set showing the - soft close engages at 10°.



Silentia+ • **100 Series for small
or light doors**



Integrated soft close by means of twin fluid dampers

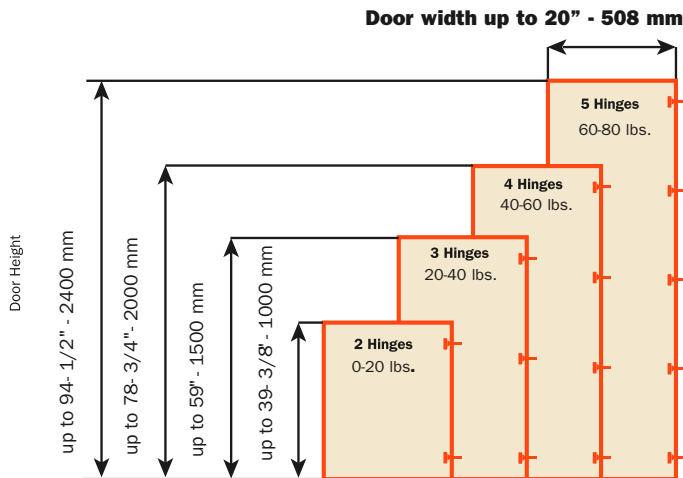
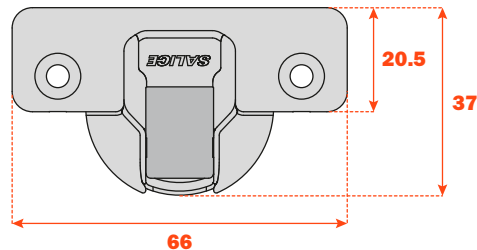
- Adjustment switch to set a comfortable soft close action
- Impervious to temperature extremes
- Very smooth opening with minimal resistance
- Patented compensating parallel side adjustment
- Available in all Salice fixing types (Screw, Dowel, Rapido, Logica)
- Available in Nickel or Titanium finish
- Exceeds ANSI/BHMA standards A156.9-2010

Constant “L” value of 1.5 mm (it does not change during side adjustment).

The number of hinges required depends on the size, weight and material of the door.

The distance between the top and bottom must be greater than the width of the door.

Additional hinges should be added if doors are near the border of the line of size or weight chart. Use the diagram below to determine the number of hinges.



Adjustments

Parallel side adjustment from -1.5 mm to +4.5 mm.

Height adjustment ±2 mm

Depth adjustment with Domi snap-on mounting plates from -0.5 mm to +2.8 mm.

Depth adjustment with 200 Series mounting plates +2.8 mm.
Anti-sliding safety stop.

Mounting plates

Snap-on assembly on Domi mounting plates.

Symmetrical and asymmetrical bright nickel plated steel or die-cast Series 200 mounting plates.

Positioning with pre-determined stop on traditional 200 Series mounting plates.

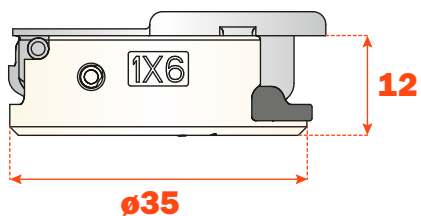
Note: Use No. 2 Pozi drive screwdrivers for all adjustments.

Drilling and attachment

| | | |
|------------|--|----------|
| | | |
| Wood screw | | P |
| | | |
| Dowel | | R |
| Rapido | | 7 |
| Logica | | J |

**Use this table to identify the available attachment options to the door.
Fill the third position of the hinge code number with the letter or the number
corresponding to your choice. I.e.: C1_6AE9.**

↑
Fill this position with the chosen letter or number.



**105° opening
and complementary hinges**



Technical information

Hinges with adjustable integrated soft-close mechanism operated by twin fluid dampers housed in the hinge cup. The decelerating effect is adjusted by using a simple switch. Minimum 15 mm / maximum 20 mm door thickness.

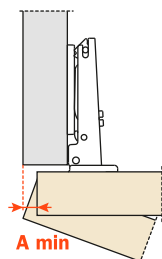
Hinges for small/light door material or heavy front profiles 12 mm deep cup.

105° opening.

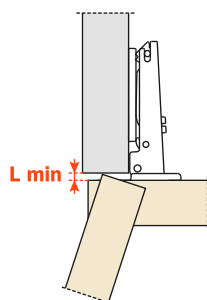
Possible drilling distance on the door (K): from 3 to 6 mm.

Compatible with all traditional 200 Series mounting plates and with all Domi snap-on mounting plates.

Space needed to open the door



| T= | 15 | 16 | 17 | 18 | 19 | 20 |
|--------|-----|-----|-----|-----|-----|-----|
| K=3 A= | 1.0 | 1.0 | 1.2 | 1.4 | 1.6 | 1.9 |
| K=4 A= | 0.9 | 1.0 | 1.2 | 1.3 | 1.5 | 1.8 |
| K=5 A= | 0.9 | 1.0 | 1.1 | 1.2 | 1.5 | 1.8 |
| K=6 A= | 0.9 | 1.0 | 1.1 | 1.2 | 1.4 | 1.7 |

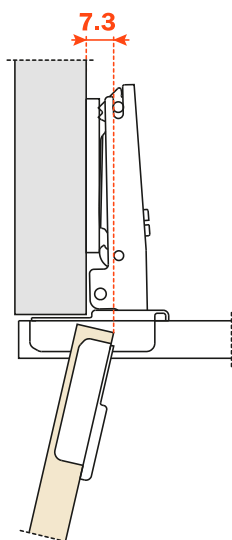


| T= | 15 | 16 | 17 | 18 | 19 | 20 |
|--------|-----|-----|-----|-----|-----|-----|
| K=3 L= | 0.0 | 0.0 | 0.0 | 0.0 | 0.1 | 0.3 |
| K=4 L= | 0.4 | 0.6 | 0.7 | 0.9 | 1.1 | 1.2 |
| K=5 L= | 1.0 | 1.0 | 1.2 | 1.8 | 2.0 | 2.0 |
| K=6 L= | 1.6 | 1.8 | 2.0 | 2.1 | 2.3 | 2.5 |

The above values are calculated on doors with a 1 mm radius. They are reduced if the doors have greater radiussed edges.

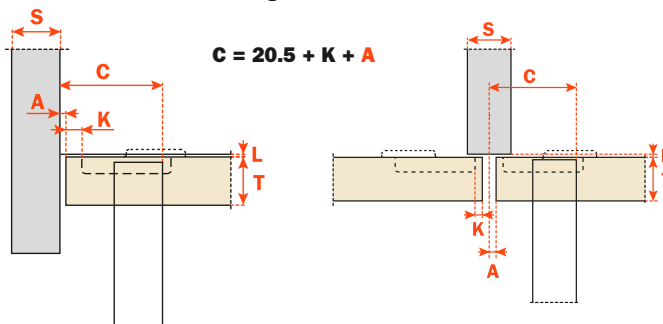
Protrusion of the door

Protrusion of the door from the cabinet side at the max. opening. The figures are based on a straight arm hinge, H=0 mm thickness of mounting plate and K value = 3 mm.



“C” value

With this formula you can obtain the max. thickness of the moulded door that can be opened without touching adjacent cabinet sides, doors or walls, while bearing in mind the above L · K · T values.



Abbreviations:

| | |
|--|---|
| S = Thickness of the cabinet side | A = Reveal |
| D = Required door overlay | L = Gap between the door and cabinet |
| T = Door thickness | H = Height of the mounting plate |
| K = Drilling distance | G = Hinge constant |

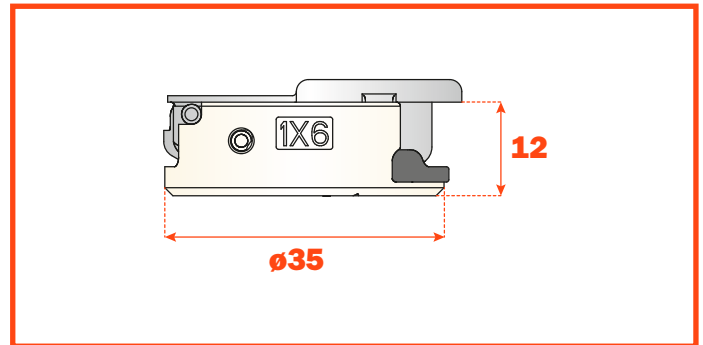
Packing • Boxes 300 pcs. • Pallets 7.200 pcs.

Use these formulas to determine the type of hinge arm, the drilling distance "K" and the height of the mounting plate "H" which is necessary to solve each application problem.

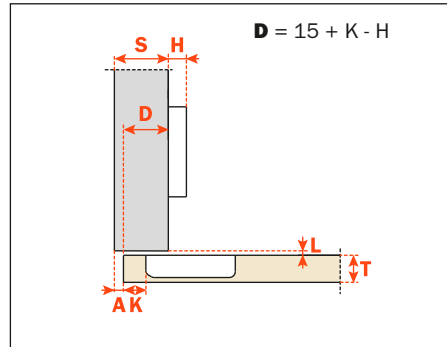
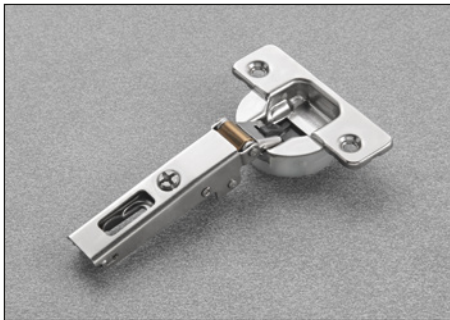
Use the tables "Drilling and attachment" at page 11 to complete the code number of the desired hinge.

To limit the opening of the hinge, see page 40, chapter "Accessories".

***Check with your Salice sales representative or customer service for specific Titanium availability.**

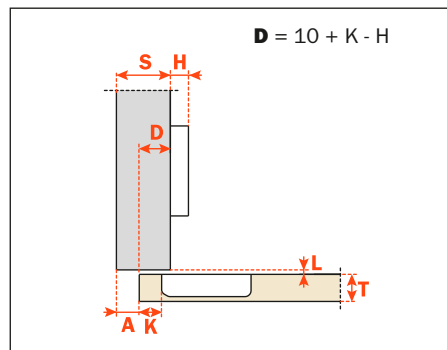


Full overlay/ A crank - 0 mm



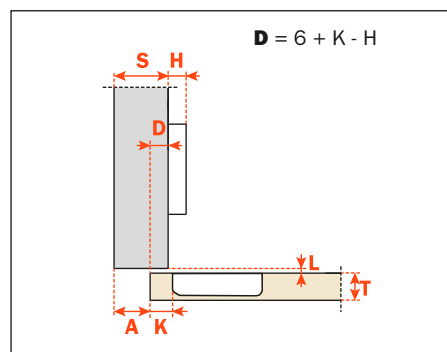
| Attachment | | Nickel | Titanium |
|------------|------------|---------|----------|
| | Wood screw | C1P6AE9 | C1P6AE6 |
| | Dowel | C1R6AE9 | C1R6AE6 |
| | Rapido | C176AE9 | - |
| | Logica | C1J6AE9 | - |

1/2" overlay/ D crank - 5 mm



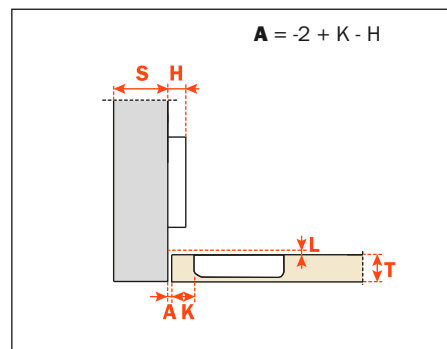
| Attachment | | Nickel | Titanium |
|------------|------------|---------|----------|
| | Wood screw | C1P6DE9 | C1P6DE6 |
| | Dowel | C1R6DE9 | C1R6DE6 |
| | Rapido | C176DE9 | - |
| | Logica | C1J6DE9 | - |

Half overlay/ G crank - 9 mm



| Attachment | | Nickel | Titanium |
|------------|------------|---------|----------|
| | Wood screw | C1P6GE9 | C1P6GE6 |
| | Dowel | C1R6GE9 | C1R6GE6 |
| | Rapido | C176GE9 | - |
| | Logica | C1J6GE9 | - |

Inset/ P crank - 17 mm



| Attachment | | Nickel | Titanium |
|------------|------------|---------|----------|
| | Wood screw | C1P6PE9 | C1P6PE6 |
| | Dowel | C1R6PE9 | C1R6PE6 |
| | Rapido | C176PE9 | - |
| | Logica | C1J6PE9 | - |



Technical Information

Hinges with adjustable integrated soft-close mechanism operated by twin fluid dampers housed in the hinge cup. The decelerating effect is adjusted by using a simple switch.

For doors with positive angled assembly.
Hinges for small/light door material or heavy front profiles
12 mm deep cup.

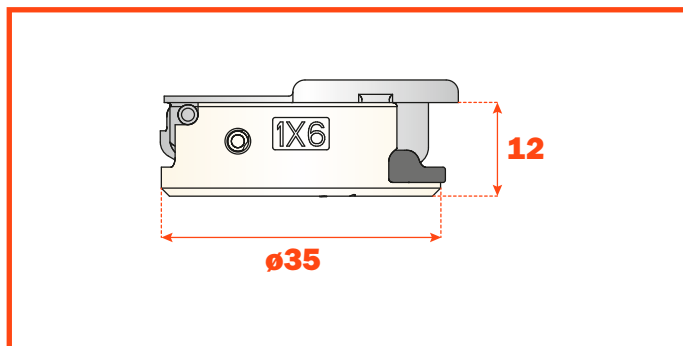
105° opening.
Possible drilling distance on the door (K): from 3 to 6 mm.
Compatible with all traditional 200 Series mounting plates and with all Domi snap-on mounting plates.

Packing • Boxes 150 pcs. • Pallets 3.600 pcs.

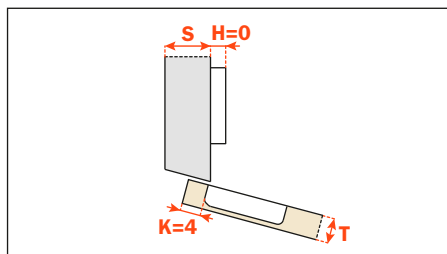
The solution of assembly problems where doors are mounted at a positive angle requires the verification of drilling distances by a practical trial. Please do not hesitate to consult our technical support department for assistance.

Use the tables “Drilling and attachment” at page 11 to complete the code number of the desired hinge.

Note: For angled hinges, unless otherwise noted the K= 4 mm and the H= 0 mm.

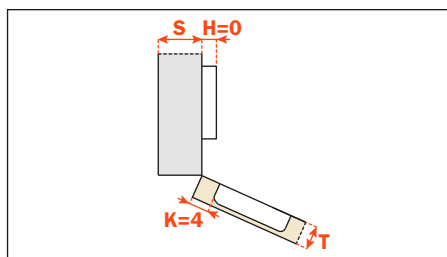


Arm 15°



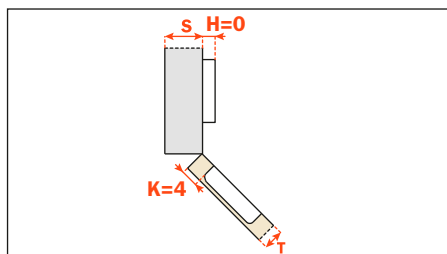
| Attachment | Nickel |
|------------|---------|
| Dowel | C1R6ZE9 |

Arm 30°



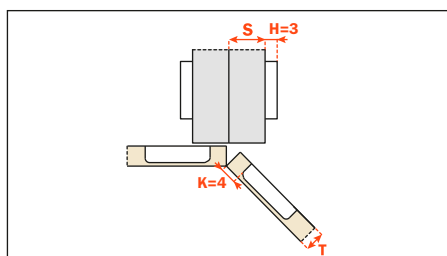
| Attachment | Nickel |
|------------|---------|
| Dowel | C1R6EE9 |

Arm 45°

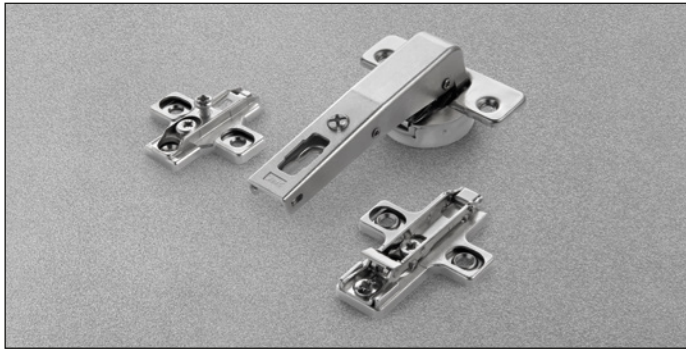


| Attachment | Nickel |
|------------|---------|
| Wood screw | C1P6ME9 |
| Dowel | C1R6ME9 |
| Rapido | C176ME9 |

Arm 45°



| Attachment | Nickel |
|------------|-----------|
| Wood screw | C1P6ME9AC |
| Dowel | C1R6ME9AC |
| Rapido | C176ME9AC |
| Logica | C1J6ME9AC |



Technical Information

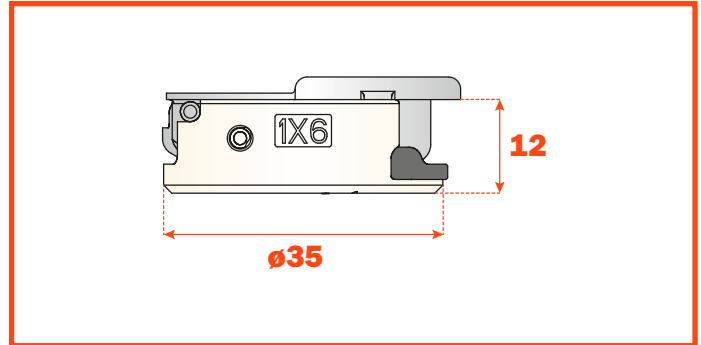
Hinges with adjustable integrated soft-close mechanism operated by twin fluid dampers housed in the hinge cup. The decelerating effect is adjusted by using a simple switch.

Inset blind corner hinges for cabinet sides with 37 x 32 standard drilling.
Hinges for small/light door material or heavy front profiles.
12 mm deep cup.

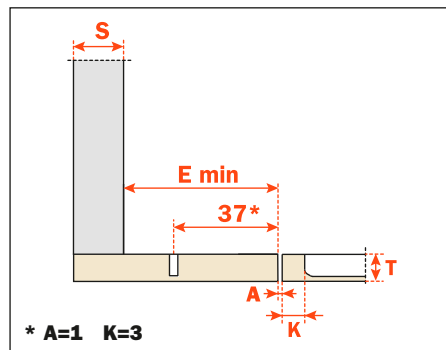
105° opening.
 Possible drilling distance on the door (K): from 3 to 6 mm.
 Compatible with all traditional 200 Series mounting plates and with all Domi snap-on mounting plates.

Packing • Boxes 150 pcs. • Pallets 3.600 pcs.

Use the tables "Drilling and attachment" at page 11 to complete the code number of the desired hinge.



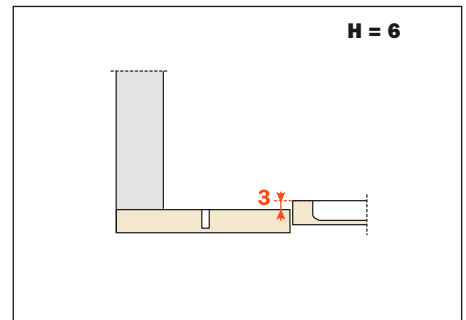
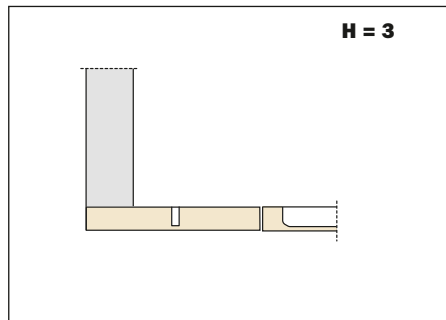
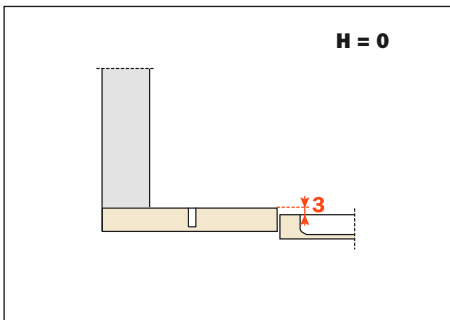
Inset blind corner

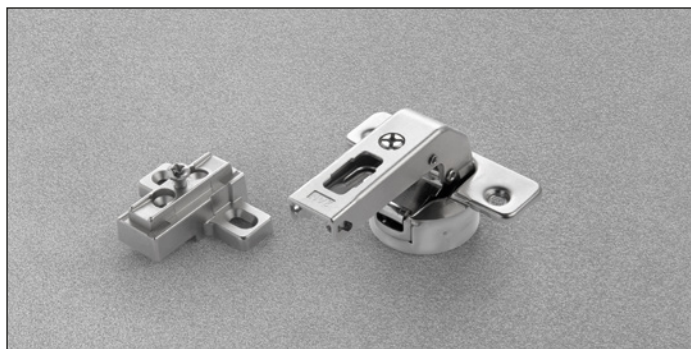


| Attachment | | Nickel |
|------------|------------|-----------|
| | Wood screw | C1P6NE9AC |
| | Dowel | C1R6NE9AC |
| | Rapido | C176NE9AC |

E min:
 • 61 mm for 200 Series mounting plates.
 • 70 mm for Domi snap-on mounting plates.
 • 74 mm for Domi snap-on mounting plates with back cam.

Heights of mounting plates for every application.





Technical information

Hinges with adjustable integrated soft-close mechanism operated by twin fluid dampers housed in the hinge cup. The decelerating effect is adjusted by using a simple switch. For smaller spaces with 15 x 32 mm drilling.

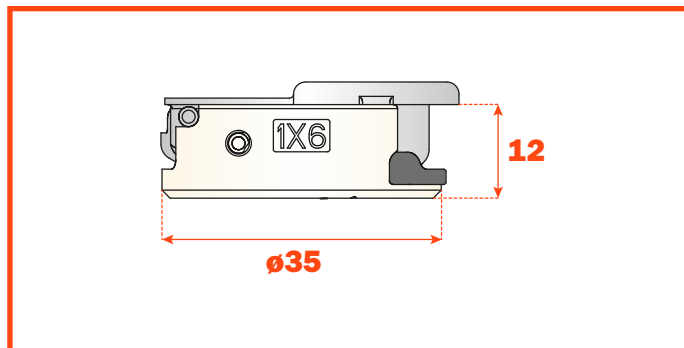
Inset blind corner hinge short arm
Hinges for min. 15 mm thick doors.
12 mm deep cup.

105° opening.
Possible drilling distance on the door (K): from 3 to 9 mm.
Compatible with all traditional 100 Series mounting plates, 28 x 32 mm drilling.

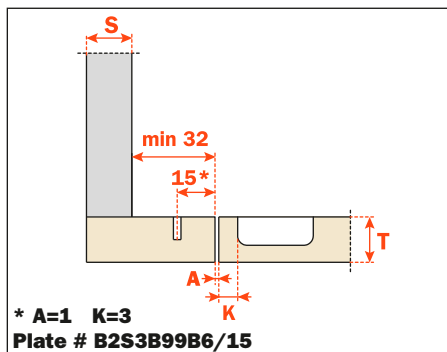
NOT COMPATIBLE with Domi snap-on mounting plates.

Packing • Boxes 150 pcs. • Pallets 3.600 pcs.

Use the tables “Drilling and attachments” at page 11 to complete the code number of the desired hinge.

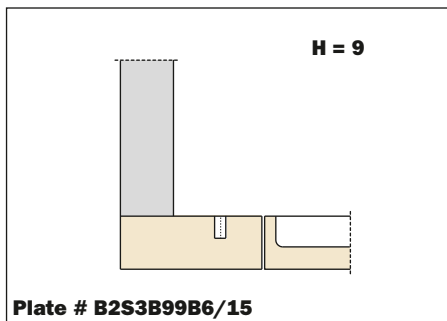
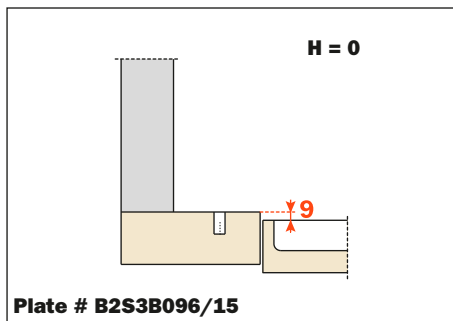


Inset blind corner hinge



| Attachment | Nickel |
|------------|---------|
| Dowel | C1R6NE9 |

Heights of mounting plates for every application.



Silentia+ • **200 Series for Thick doors or 0 Protrusion**



Integrated soft close by means of twin fluid dampers

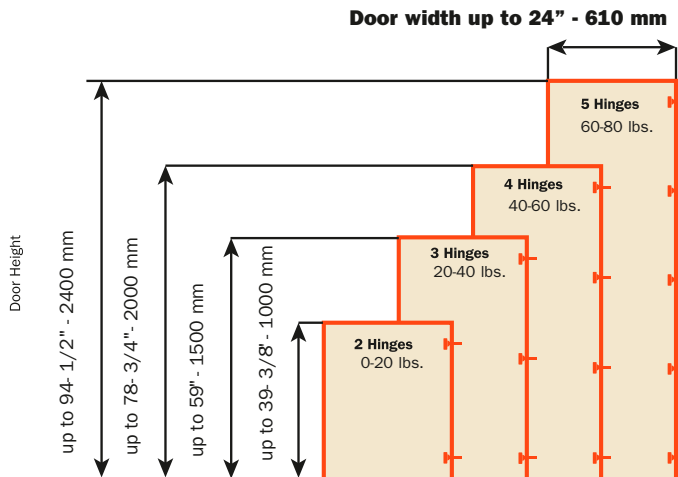
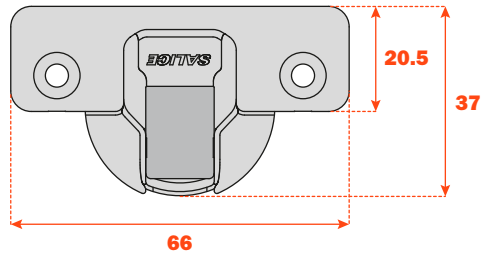
- Adjustment switch to set a comfortable soft close action
- Impervious to temperature extremes
- Very smooth opening with minimal resistance
- Patented compensating parallel side adjustment
- Available in all Salice fixing types (Screw, Dowel, Rapido, Logica)
- Available in Nickel or Titanium finish
- Exceeds ANSI/BHMA standards A156.9-2010

Constant “L” value of 1.5 mm (it does not change during side adjustment).

The number of hinges required depends on the size, weight and material of the door.

The distance between the top and bottom must be greater than the width of the door.

Additional hinges should be added if doors are near the border of the line of size or weight chart. Use the diagram below to determine the number of hinges.



Adjustments

- Compensating (parallel) side adjustment from -1.5 mm to +4.5 mm.
- Height adjustment ± 2 mm.
- Depth adjustment with Domi snap-on mounting plates from -0.5 mm to +2.8 mm.
- Depth adjustment with 200 Series mounting plates +2.8 mm.
- Anti-sliding safety stop.

Mounting plates

- Snap-on assembly on Domi mounting plates.
- Symmetrical and asymmetrical bright nickel plated steel or die-cast 200 Series mounting plates
- Positioning with pre-determined stop on traditional 200 Series mounting plates.

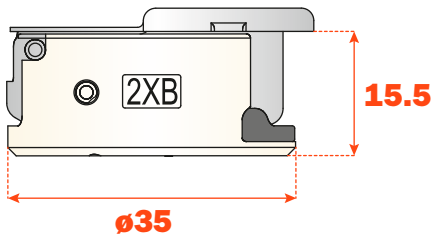
Note: Use No. 2 Pozi drive screwdrivers for all screws.

| | | | |
|------------|--|----------|-----------|
| | | | |
| Wood screw | | 94° P | 155° P |
| | | | |
| Dowel | | 94° R | 155° R |
| Rapido | | 7 | 7 |
| Logica | | J | J |

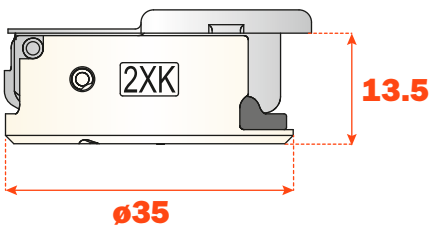
Use this table to identify the available attachment options to the door.
 Fill the third position of the hinge code number with the letter or the number
 corresponding to your choice. I.e.: C2_BAE9.



Fill this position with the chosen letter or number.



94° opening and complementary hinges



155° opening 0 protrusion hinges



Technical information

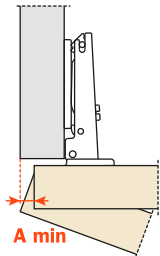
Hinges with adjustable integrated soft-close mechanism operated by twin fluid dampers housed in the hinge cup. The decelerating effect is adjusted by using a simple switch.

Minimum 18 mm / maximum 35 mm door thickness
15.5 mm deep cup.

94° opening.

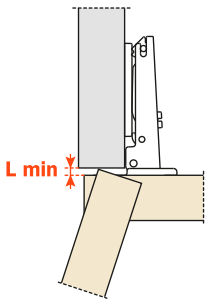
Possible drilling distance on the door (K): from 3 to 9 mm.
Compatible with all traditional 200 Series mounting plates and with all Domi snap-on mounting plates.

Space needed to open the door



| T= | 19 | 20 | 21 | 22 | 23 | 24 | 25 | 26 | 27 | 28 | 29 | 30 | 31 | 32 | 33 | 34 | 35 |
|---------------|-----|-----|-----|-----|-----|-----|-----|-----|-----|-----|-----|-----|-----|-----|-----|-----|-----|
| K=3 A= | 0.1 | 0.2 | 0.3 | 0.4 | 0.5 | 0.7 | 0.8 | 1.0 | 1.6 | 2.6 | 3.5 | 4.5 | 5.4 | 6.4 | 7.4 | 8.3 | 9.3 |
| K=4 A= | 0.1 | 0.2 | 0.3 | 0.4 | 0.5 | 0.7 | 0.8 | 1.0 | 1.2 | 1.9 | 2.8 | 3.8 | 4.7 | 5.7 | 6.6 | 7.6 | 8.6 |
| K=5 A= | 0.1 | 0.2 | 0.3 | 0.4 | 0.5 | 0.7 | 0.8 | 1.0 | 1.2 | 1.4 | 2.2 | 3.1 | 4.1 | 5.0 | 5.9 | 6.9 | 7.8 |
| K=6 A= | 0.1 | 0.2 | 0.3 | 0.4 | 0.5 | 0.6 | 0.8 | 1.0 | 1.2 | 1.4 | 1.7 | 2.6 | 3.5 | 4.4 | 5.3 | 6.2 | 7.2 |
| K=7 A= | 0.1 | 0.2 | 0.3 | 0.4 | 0.5 | 0.6 | 0.8 | 1.0 | 1.1 | 1.3 | 1.6 | 2.1 | 3.0 | 3.8 | 4.7 | 5.6 | 6.5 |
| K=8 A= | 0.1 | 0.2 | 0.3 | 0.4 | 0.5 | 0.6 | 0.8 | 0.9 | 1.1 | 1.3 | 1.6 | 1.8 | 2.5 | 3.3 | 4.2 | 5.1 | 6.0 |
| K=9 A= | 0.1 | 0.2 | 0.3 | 0.4 | 0.5 | 0.6 | 0.8 | 0.9 | 1.1 | 1.3 | 1.5 | 1.8 | 2.1 | 2.9 | 3.7 | 4.6 | 5.4 |

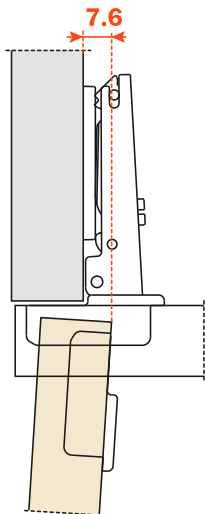
| K | 3 | 4 | 5 | 6 | 7 | 8 | 9 |
|-----------|-----|-----|-----|-----|-----|-----|-----|
| L= | 0.0 | 0.0 | 0.0 | 0.0 | 0.0 | 0.3 | 1.3 |



The above values are calculated on doors with a 1 mm radius edges. They are reduced if the doors have greater radiussed edges.

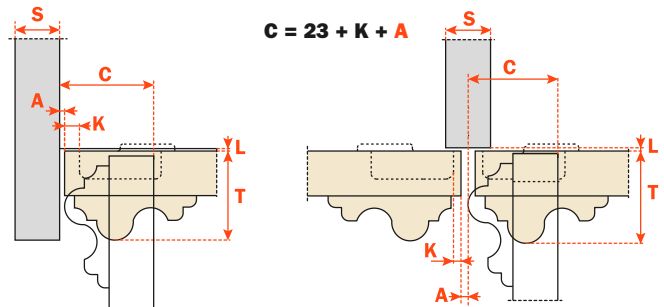
Protrusion of the door

Protrusion of the door from the cabinet side at the max. opening. The figures are based on a straight arm hinge, H=0 mm thickness of mounting plate and K value = 3 mm.



“C” value

With this formula you can obtain the max. thickness of the moulded door that can be opened without touching adjacent cabinet sides, doors or walls, while bearing in mind the above L·K·T values.



Abbreviations:

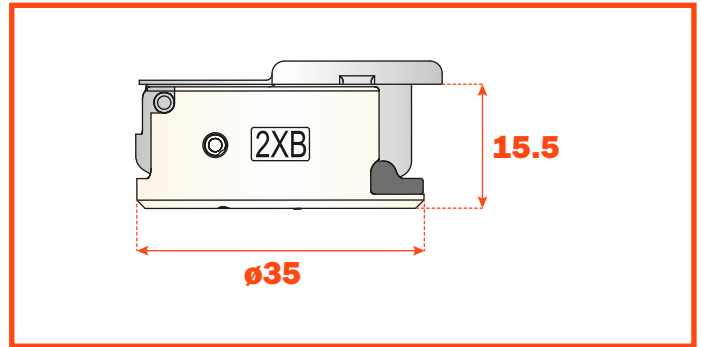
| | |
|--|---|
| S = Thickness of the cabinet side | A = Reveal |
| D = Required door overlay | L = Gap between the door and cabinet |
| T = Door thickness | H = Height of the mounting plate |
| K = Drilling distance | G = Hinge constant |

Packing • Boxes 300 pcs. • Pallets 7.200 pcs.

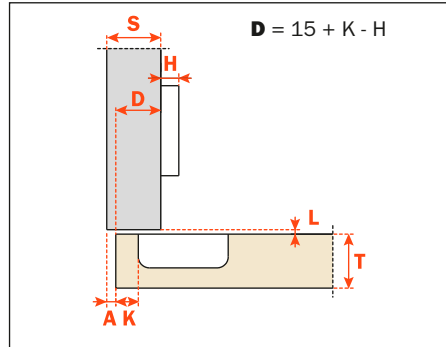
Use these formulas to determine the type of hinge arm, the drilling distance "K" and the height of the mounting plate "H" which is necessary to solve each application problem.

Use the tables "Drilling and attachment" at page 19 to complete the code number of the desired hinge.

***Check with your Salice sales representative or customer service for specific Titanium availability**

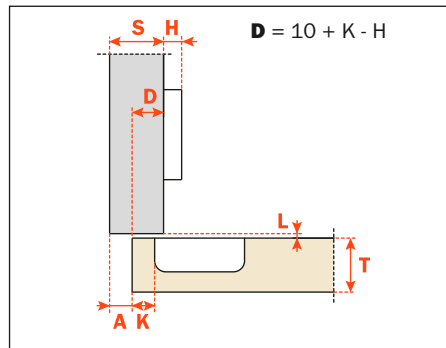


Full overlay/ A crank - 0 mm



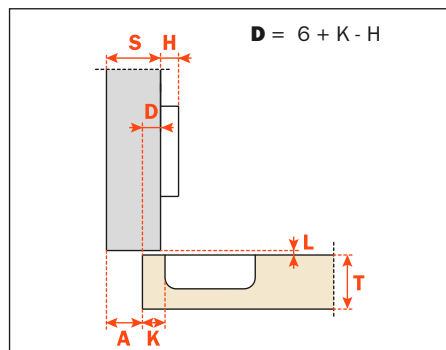
| Attachment | Nickel | Titanium |
|------------|---------|----------|
| Wood screw | C2PBAE9 | C2PBAE6 |
| Dowel | C2RBAE9 | C2RBAE6 |
| Rapido | C27BAE9 | - |
| Logica | C2JBAE9 | - |

1/2" overlay/ D crank - 5 mm



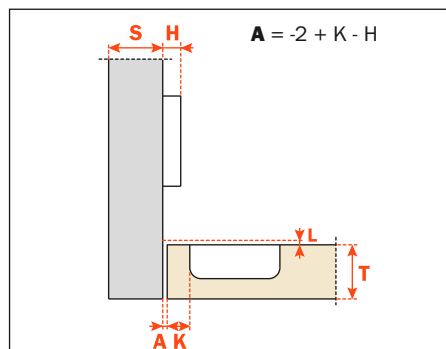
| Attachment | Nickel | Titanium |
|------------|---------|----------|
| Wood screw | C2PBDE9 | - |
| Dowel | C2RBDE9 | - |
| Rapido | C27BDE9 | - |
| Logica | C2JBDE9 | - |

Half overlay/ G crank - 9 mm



| Attachment | Nickel | Titanium |
|------------|---------|----------|
| Wood screw | C2PBGE9 | C2PBGE6 |
| Dowel | C2RBGE9 | C2RBGE6 |
| Rapido | C27BGE9 | - |
| Logica | C2JBGE9 | - |

Inset/ P crank - 17 mm



| Attachment | Nickel | Titanium |
|------------|---------|----------|
| Wood screw | C2PBPE9 | C2PBPE6 |
| Dowel | C2RBPE9 | C2RBPE6 |
| Rapido | C27BPE9 | - |



Technical information

Hinges with integrated soft-close mechanism operated by twin fluid dampers housed in the hinge cup.

Hinges for 0 protrusion or wide opening angle 13.5 mm deep cup.

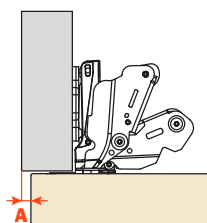
Minimum. 16 mm - 28 mm maximum door thickness.

155° opening.

Possible drilling distance on the door (K): from 3 to 8 mm.

Compatible with all traditional 200 Series mounting plates and with all Domi snap-on mounting plates.

Space needed to open the door



| | T= | 16 | 18 | 20 | 22 | 24 | 25 | 26 | 27 | 28 |
|-----|----|-----|-----|-----|-----|------|------|------|---------------|---------------|
| K=3 | A= | 0.0 | 0.0 | 0.0 | 0.0 | 0.0 | 0.10 | 0.40 | 0.75 | 1.20 |
| K=4 | A= | 0.0 | 0.0 | 0.0 | 0.0 | 0.0 | 0.15 | 0.45 | 0.85 | 1.35 |
| K=5 | A= | 0.0 | 0.0 | 0.0 | 0.0 | 0.0 | 0.20 | 0.50 | 0.95 | 1.20° 1.70 |
| K=6 | A= | 0.0 | 0.0 | 0.0 | 0.0 | 0.0 | 0.25 | 0.60 | 1.10 | 1.20° 1.95 |
| K=7 | A= | 0.0 | 0.0 | 0.0 | 0.0 | 0.0 | 0.30 | 0.70 | 1.30 | 92° 2.30 |
| K=8 | A= | 0.0 | 0.0 | 0.0 | 0.0 | 0.0 | 0.35 | 0.85 | 1.20° 1.70 | 92° 2.80 |
| K=9 | A= | 0.0 | 0.0 | 0.0 | 0.0 | 0.15 | 0.55 | 1.20 | 92° 2.15 | |

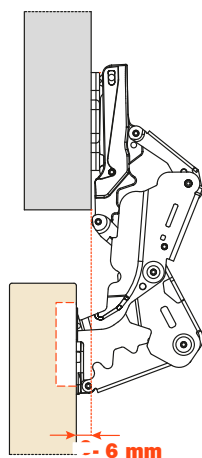
With opening stop device to 92° art. S2BM37XG

With opening stop device to 120° art. S2AM37XG

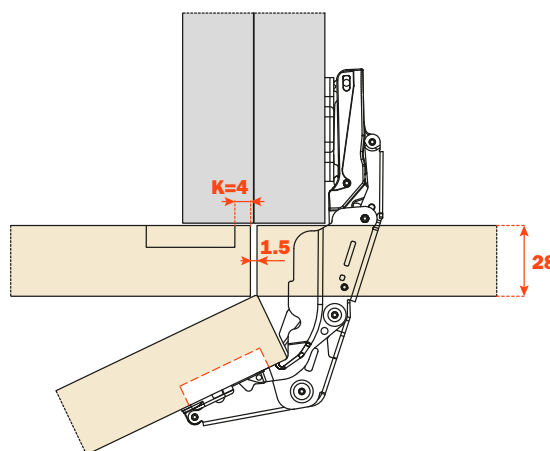
The above values are calculated on doors with a 1 mm radius edges. They are reduced if the doors have greater radiussed edges.

Protrusion of the door

The door combined with a mounting plate H=0 and a straight arm hinge opens at 90° with lateral door protrusion of -6 mm.



“C” value



| Abbreviations: | |
|--|---|
| S = Thickness of the cabinet side | A = Reveal |
| D = Required door overlay | L = Gap between the door and cabinet |
| T = Door thickness | H = Height of the mounting plate |
| K = Drilling distance | G = Hinge constant |

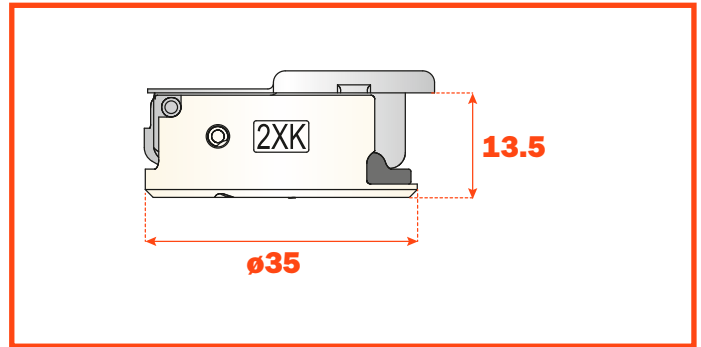
Packing • Boxes 100 pcs. • Pallets 2.400 pcs.

Use these formulas to determine the type of hinge arm, the drilling distance "K" and the height of the mounting plate "H" which is necessary to solve each application problem.

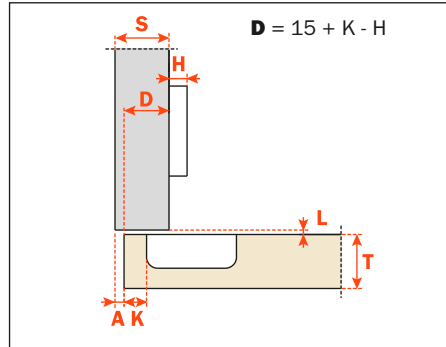
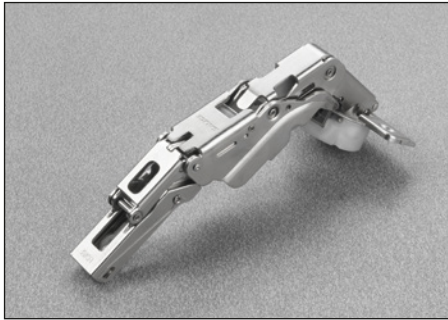
To limit the opening of the hinge, see page 40 chapter "Accessories".

Use the tables "Drilling and attachment" at page 19 to complete the code number of the desired hinge.

***Check with your Salice sales representative or customer service for specific Titanium availability**

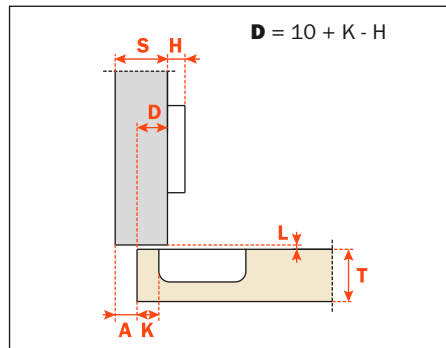


Full overlay/ A crank - 0 mm



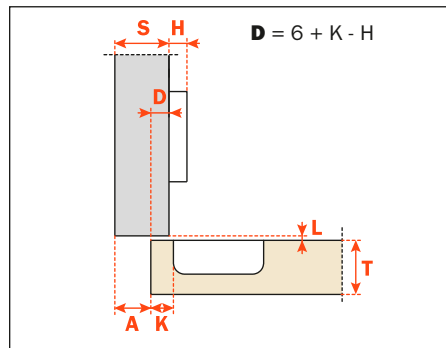
| Attachment | Nickel | Titanium |
|------------|---------|----------|
| Wood screw | C2PKAE9 | C2PKAE6 |
| Dowel | C2RKAE9 | C2RKAE6 |
| Rapido | C27KAE9 | - |
| Logica | C2JKAE9 | C2JKAE6 |

1/2" overlay/ D crank - 5 mm



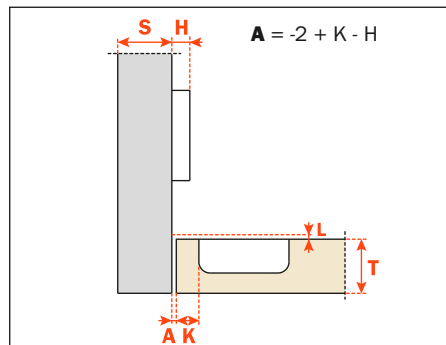
| Attachment | Nickel |
|------------|---------|
| Wood screw | C2PKDE9 |
| Dowel | C2RKDE9 |

Half overlay/ G crank - 9 mm



| Attachment | Nickel | Titanium |
|------------|---------|----------|
| Wood screw | C2PKGE9 | C2PKGE6 |
| Dowel | C2RKGE9 | C2RKGE6 |
| Logica | C2JKGE9 | C2JKGE6 |

Inset/ P crank - 17 mm



| Attachment | Nickel | Titanium |
|------------|---------|----------|
| Wood screw | C2PKPE9 | C2PKPE6 |
| Dowel | C2RKPE9 | C2RKPE6 |
| Logica | C2JKPE9 | C2JKPE6 |



Technical information

Hinges with adjustable integrated soft-close mechanism operated by twin fluid dampers housed in the hinge cup. The decelerating effect is adjusted by using a simple switch.

For doors with positive angled assembly. Minimum 18 mm thick doors.

15.5 mm deep cup.

94° opening.

Possible drilling distance on the door (K): from 3 to 9 mm.

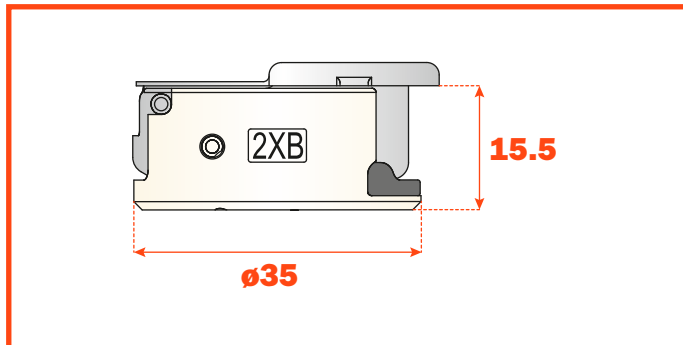
Compatible with all traditional 200 Series mounting plates and with all Domi snap-on mounting plates.

Packing • Boxes 150 pcs. • Pallets 3.600 pcs.

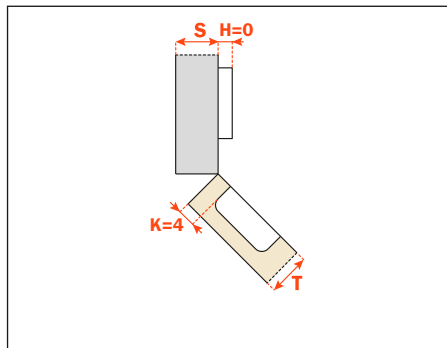
The solution of assembly problems where doors are mounted at a positive angle requires the verification of drilling distances by a practical trial.


Please do not hesitate to consult our technical support department for assistance.

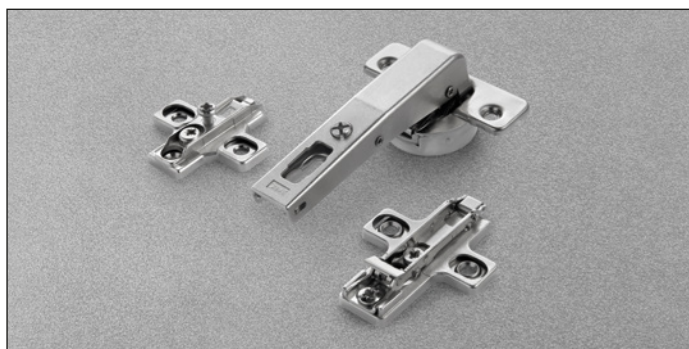
Use the tables “Drilling and attachment” at page 19 to complete the code number of the desired hinge.



Arm 45°



| Attachment | Nickel |
|--|---------|
|  Dowel | C2RBME9 |



Technical information

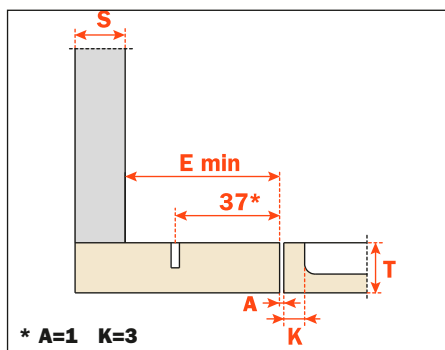
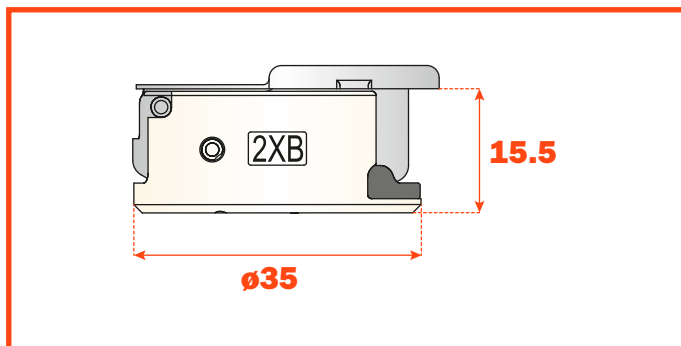
Hinges with adjustable integrated soft-close mechanism operated by twin fluid dampers housed in the hinge cup. The decelerating effect is adjusted by using a simple switch.

Inset blind corner hinges.
For cabinet sides with 37x32 mm standard drilling.
Minimum 18 mm thick doors.
15.5 mm deep cup.

94° opening.
 Possible drilling distance on the door (K): from 3 to 9 mm.
 Compatible with all traditional 200 Series mounting plates and with all Domi snap-on mounting plates.

Packing • Boxes 150 pcs. • Pallets 3.600 pcs.

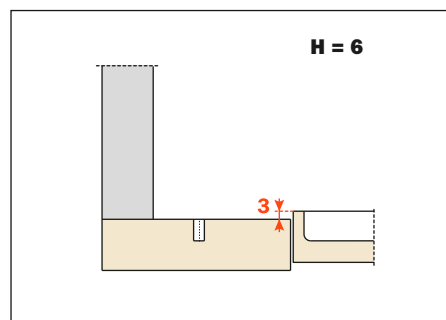
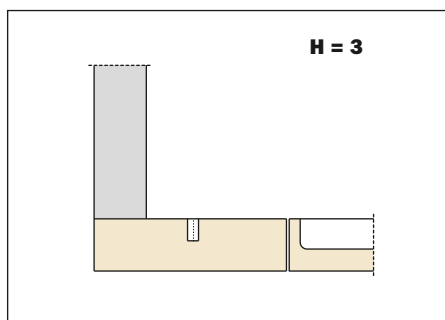
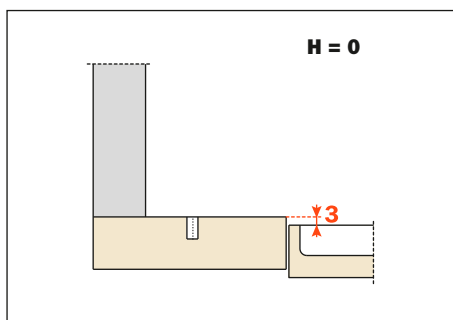
Use the tables "Drilling and attachment" at page 19 to complete the code number of the desired hinge.



| Attachment | Nickel |
|------------|-----------|
| Wood screw | C2PBNE9AC |
| Dowel | C2RBNE9AC |

E min:
 • 61 mm for 200 Series mounting plates.
 • 70 mm for Domi snap-on mounting plates.
 • 74 mm for Domi snap-on mounting plates with back cam.

Heights of mounting plates for every application.



Silentia+ • 700 Series



Integrated soft close by means of twin fluid dampers

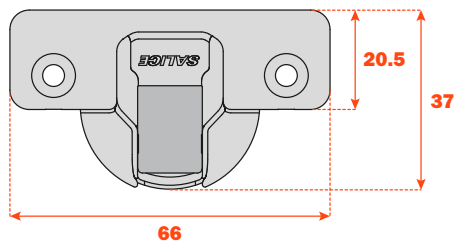
- Adjustment switch to set a comfortable soft close action
- Impervious to temperature extremes
- Very smooth opening with minimal resistance
- Patented compensating parallel side adjustment
- Available in all Salice fixing types (Screw, Dowel, Rapido, Logica)
- Available in Nickel or Titanium finish
- Exceeds ANSI/BHMA standards A156.9-2010

Constant “L” value of 1.5 mm (it does not change during side adjustment).

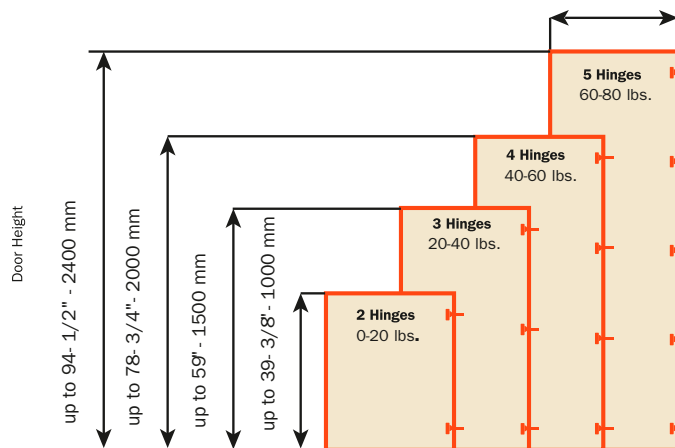
The number of hinges required depends on the size, weight and material of the door.

The distance between the top and bottom must be greater than the width of the door.

Additional hinges should be added if doors are near the border of the line of size or weight chart. Use the diagram below to determine the number of hinges.



Door width up to 24" - 610 mm



Adjustments

Compensated (parallel) side adjustment from -1.5 mm to +4.5 mm.
 Height adjustment ±2 mm.
 Depth adjustment with Domi snap-on mounting plates from -0.5 mm to +2.8 mm.
 Depth adjustment with 200 Series mounting plates +2.8 mm.
 Anti-sliding safety stop.

Mounting plates

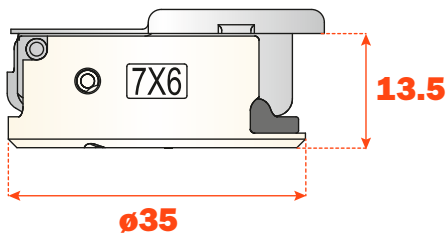
Snap-on assembly on Domi mounting plates.
 Symmetrical and asymmetrical bright nickel plated steel or die-cast 200 Series mounting plates.
 Positioning with pre-determined stop on traditional 200 Series mounting plates.

Note: Use No. 2 Pozi drive screwdrivers for all screws.

| | | |
|------------|--|--|
| | | <p>$\phi 35$ 45 9.5 110° K</p> |
| Wood screw | | P |
| | | <p>$\phi 35$ 45 ø8 9.5 110° K</p> |
| Dowel | | R |
| Rapido | | 7 |
| Logica | | J |

**Use this table to identify the available attachment options to the door.
Fill the third position of the hinge code number with the letter or the number
corresponding to your choice. I.e.: C7_6AE9.**

↑
Fill this position with the chosen letter or number.



**110° opening
and complementary hinges**



Technical information

Hinges with adjustable integrated soft-close mechanism operated by twin fluid dampers housed in the hinge cup. The decelerating effect is adjusted by using a simple switch.

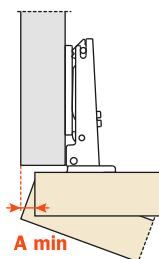
Minimum 16 mm / maximum 26 mm door thickness
13.5 mm deep cup.

110° opening.

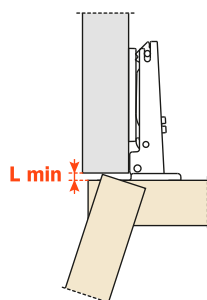
Possible drilling distance on the door (K): from 3 to 6 mm.

Compatible with all traditional 200 Series mounting plates and with all Domi snap-on mounting plates.

Space needed to open the door



| T= | 16 | 17 | 18 | 19 | 20 | 21 | 22 | 23 | 24 | 25 | 26 |
|--------|-----|-----|-----|-----|-----|-----|-----|-----|-----|-----|-----|
| K=3 A= | 0.7 | 0.9 | 1.1 | 1.3 | 1.6 | 1.9 | 2.2 | 2.6 | 3.2 | 4.4 | 5.7 |
| K=4 A= | 0.6 | 0.8 | 1.1 | 1.3 | 1.6 | 1.8 | 2.2 | 2.5 | 2.9 | 3.4 | 4.7 |
| K=5 A= | 0.6 | 0.8 | 1.0 | 1.3 | 1.5 | 1.8 | 2.1 | 2.4 | 2.8 | 3.2 | 3.7 |
| K=6 A= | 0.6 | 0.8 | 1.0 | 1.2 | 1.5 | 1.8 | 2.1 | 2.4 | 2.7 | 3.1 | 3.6 |

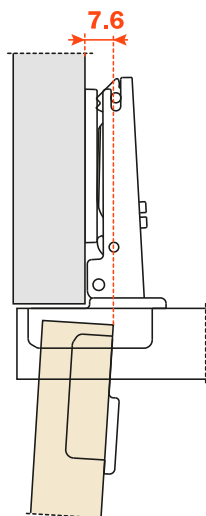


| T= | 16 | 17 | 18 | 19 | 20 | 21 | 22 | 23 | 24 | 25 | 26 |
|--------|-----|-----|-----|-----|-----|-----|-----|-----|-----|-----|-----|
| K=3 L= | 0.0 | 0.0 | 0.0 | 0.0 | 0.0 | 0.0 | 0.0 | 0.2 | 0.4 | 0.6 | 0.9 |
| K=4 L= | 0.0 | 0.0 | 0.0 | 0.3 | 0.5 | 0.7 | 0.9 | 1.1 | 1.4 | 1.6 | 1.8 |
| K=5 L= | 0.6 | 0.8 | 1.0 | 1.2 | 1.5 | 1.7 | 1.9 | 2.1 | 2.4 | 2.6 | 2.8 |
| K=6 L= | 1.5 | 1.8 | 2.0 | 2.2 | 2.4 | 2.7 | 2.9 | 3.1 | 3.3 | 3.6 | 3.8 |

The above values are calculated on doors with a 1 mm radius edges. They are reduced if the doors have greater radiused edges.

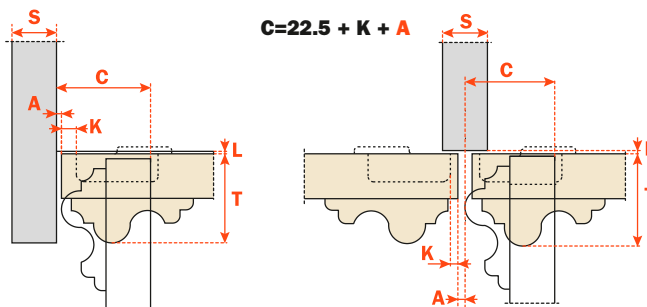
Protrusion of the door

Protrusion of the door from the cabinet side at the max. opening. The figures are based on a straight arm hinge, H=0 mm thickness of mounting plate and K value = 3 mm.



“C” value

With this formula you can obtain the max. thickness of the moulded door that can be opened without touching adjacent cabinet sides, doors or walls, while bearing in mind the above L · K · T values.



Abbreviations:

| | |
|--|---|
| S = Thickness of the cabinet side | A = Reveal |
| D = Required door overlay | L = Gap between the door and cabinet |
| T = Door thickness | H = Height of the mounting plate |
| K = Drilling distance | G = Hinge constant |

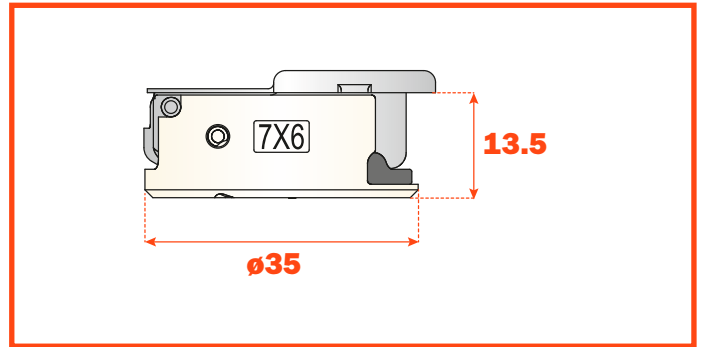
Packing • Boxes 300 pcs. • Pallets 7.200 pcs.

Use these formulas to determine the type of hinge arm, the drilling distance “K” and the height of the mounting plate “H” which is necessary to solve each application problem.

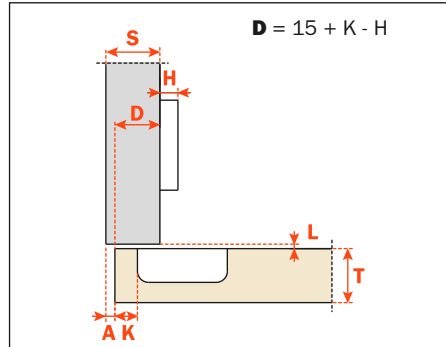
Use the tables “Drilling and attachments” at page 29 to complete the code number of the desired hinge.

To limit the opening of the hinge, see page 40, chapter “Accessories”.

***Check with your Salice sales representative or customer service for specific Titanium availability**

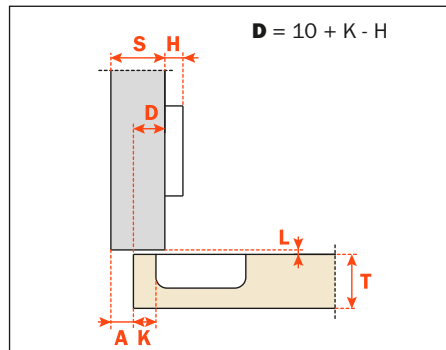


Full overlay/ A crank - 0 mm



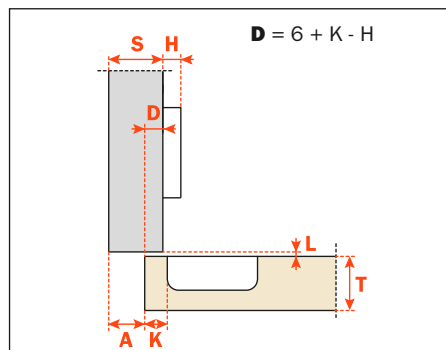
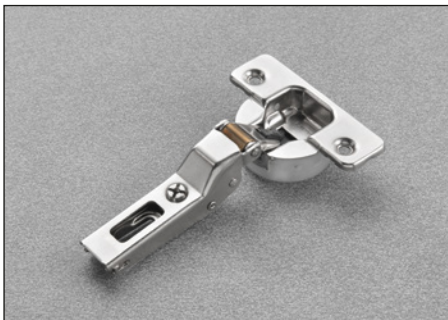
| Attachment | Nickel | Titanium |
|------------|---------|----------|
| Wood screw | C7P6AE9 | C7P6AE6 |
| Dowel | C7R6AE9 | C7R6AE6 |
| Rapido | C776AE9 | - |
| Logica | C7J6AE9 | C7J6AE6 |

1/2" overlay/ D crank - 5 mm



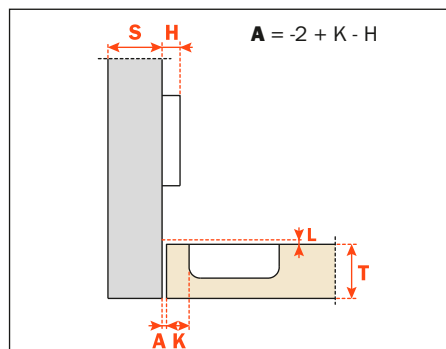
| Attachment | Nickel | Titanium |
|------------|---------|----------|
| Wood screw | C7P6DE9 | - |
| Dowel | C7R6DE9 | - |
| Rapido | C776DE9 | - |
| Logica | C7J6DE9 | - |

Half overlay/ G crank - 9 mm



| Attachment | Nickel | Titanium |
|------------|---------|----------|
| Wood screw | C7P6GE9 | C7P6GE6 |
| Dowel | C7R6GE9 | C7R6GE6 |
| Rapido | C776GE9 | - |
| Logica | C7J6GE9 | C7J6GE6 |

Inset/ P crank - 17 mm



| Attachment | Nickel | Titanium |
|------------|---------|----------|
| Wood screw | C7P6PE9 | C7P6PE6 |
| Dowel | C7R6PE9 | C7R6PE6 |
| Rapido | C776PE9 | - |
| Logica | C7J6PE9 | C7J6PE6 |



Technical information

Hinges with adjustable integrated soft-close mechanism operated by twin fluid dampers housed in the hinge cup. The decelerating effect is adjusted by using a simple switch.

For doors with positive angled assembly. Minimum 16 mm thick doors.

13.5 mm deep cup.

110° opening.

Possible drilling distance on the door (K): from 3 to 6 mm.

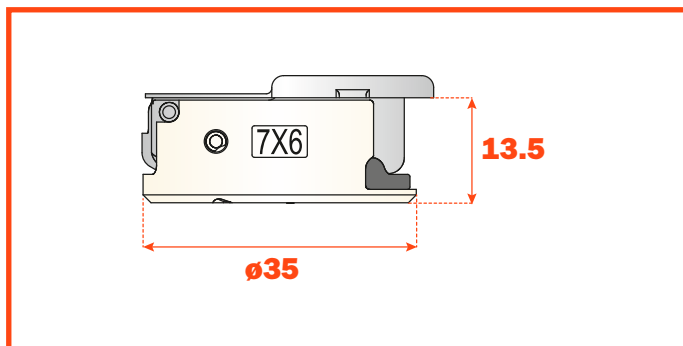
Compatible with all traditional 200 Series mounting plates and with all Domi snap-on mounting plates.

Packing • Boxes 150 pcs. • Pallets 3.600 pcs.

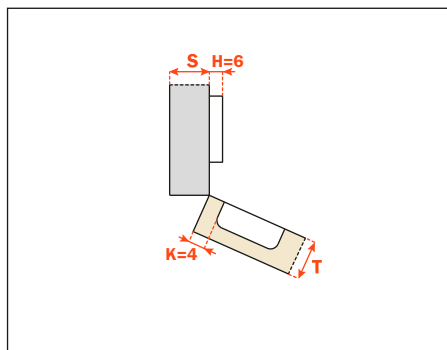
The solution of assembly problems where doors are mounted at a positive angle requires the verification of drilling distances by a practical trial.

Please do not hesitate to consult our technical support department for assistance.

Use the tables “Drilling and attachment” at page 29 to complete the code number of the desired hinge.

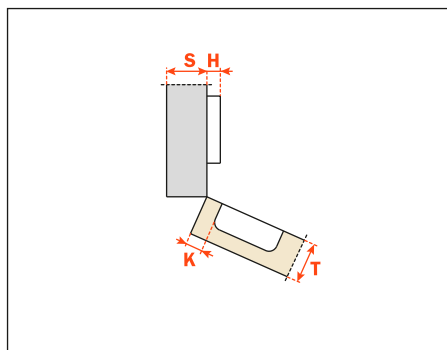
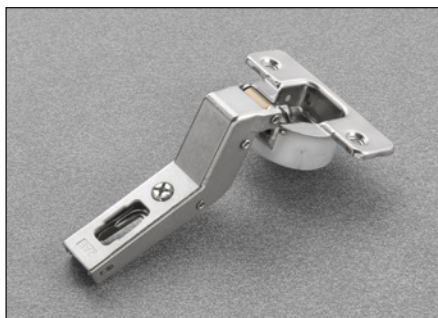


Arm 24°



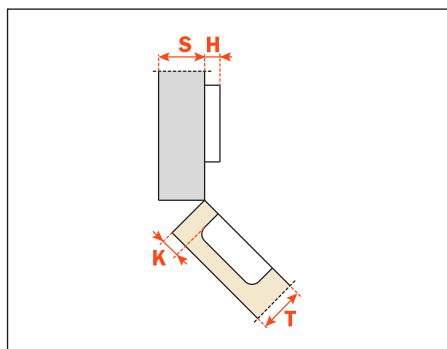
| Attachment | Nickel |
|------------|---------|
| Dowel | C7R6UE9 |

Arm 30°



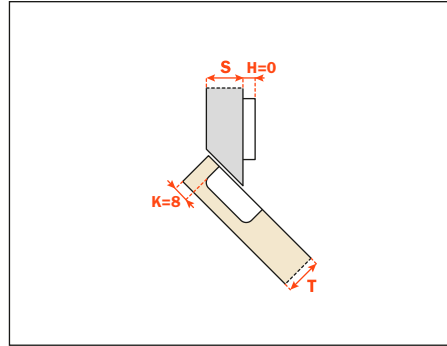
| Attachment | Nickel | Titanium |
|------------|---------|----------|
| Dowel | C7R6EE9 | C7R6EE6 |

Arm 45°



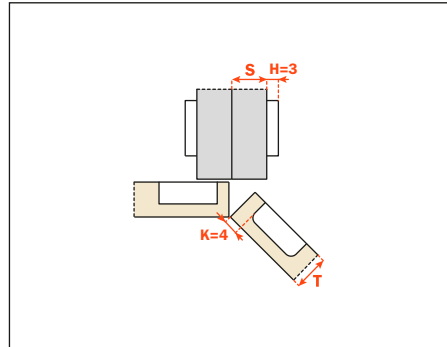
| Attachment | Nickel | Titanium |
|------------|---------|----------|
| Dowel | C7R6ME9 | C7R6ME6 |


Arm 45°



| Attachment | Nickel |
|---|---------|
|  Dowel | C7R6VE9 |

Arm 45°



| Attachment | Nickel |
|---|-----------|
|  Dowel | C7R6ME9AC |



Technical information

Hinges with adjustable integrated soft-close mechanism operated by twin fluid dampers housed in the hinge cup. The decelerating effect is adjusted by using a simple switch.

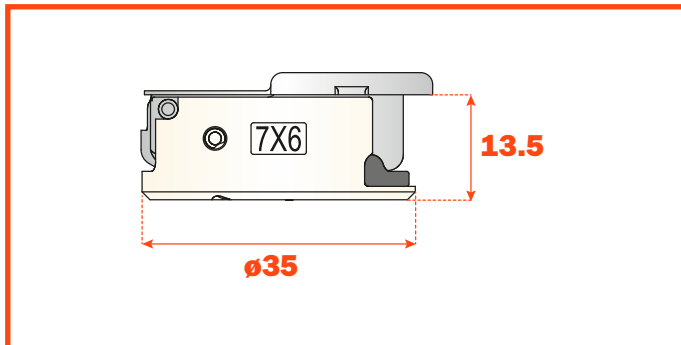
For doors with negative angled assembly. Minimum 16 mm thick doors. 13.5 mm deep cup.

110° opening.
Possible drilling distance on the door (K): from 3 to 6 mm.
Compatible with all traditional 200 Series mounting plates and with all Domi snap-on mounting plates.

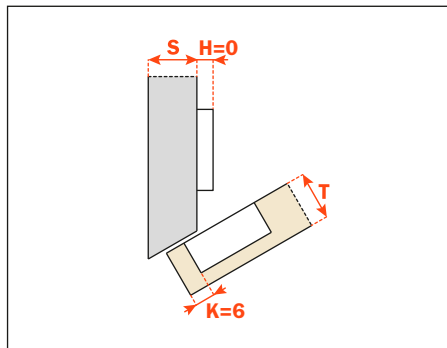
Packing • Boxes 150 pcs. • Pallets 3.600 pcs.



The solution of assembly problems where doors are mounted at a negative angle requires the verification of drilling distances by a practical trial. Please do not hesitate to consult our technical support department for assistance.

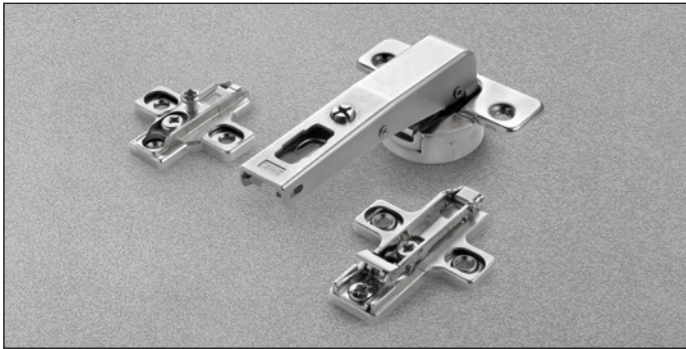
Use the tables “Drilling and attachment” at page 29 to complete the code number of the desired hinge.



Arm -30°



| Attachment | | Nickel |
|---|------------|---------------|
|  | Wood screw | C7P6WE9 |
|  | Dowel | C7R6WE9 |



Technical information

Hinges with adjustable integrated soft-close mechanism operated by twin fluid dampers housed in the hinge cup. The decelerating effect is adjusted by using a simple switch.

Inset blind corner hinges.

For cabinet sides with 37x32 mm standard drilling. Minimum 16 mm thick doors.

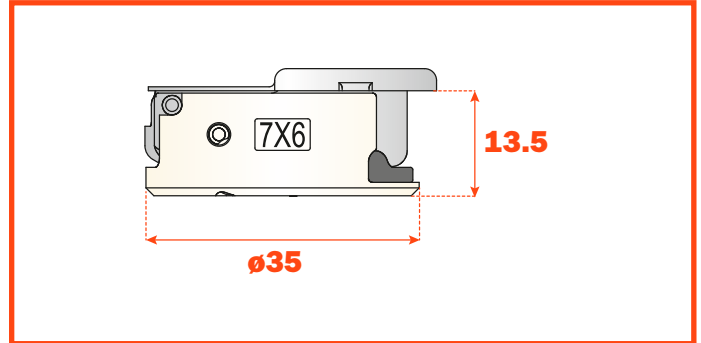
13.5 mm deep cup.
110° opening.

Possible drilling distance on the door (K): from 3 to 6 mm.
Compatible with all traditional 200 Series mounting plates and with all Domi snap-on mounting plates.

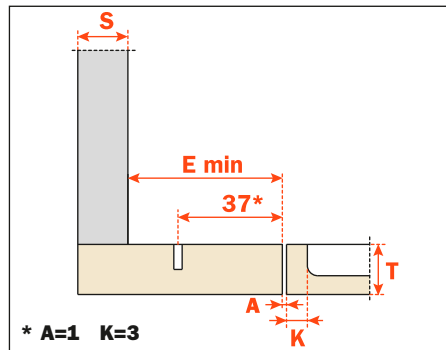
Packing • Boxes 150 pcs. • Pallets 3.600 pcs.

Use the tables "Drilling and attachments" at page 29 to complete the code number of the desired hinge.

***Check with your Salice sales representative or customer service for specific Titanium availability**



Inset blind corner hinge

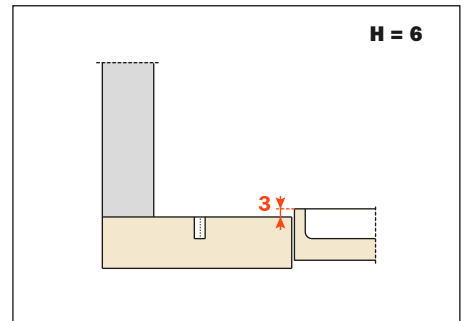
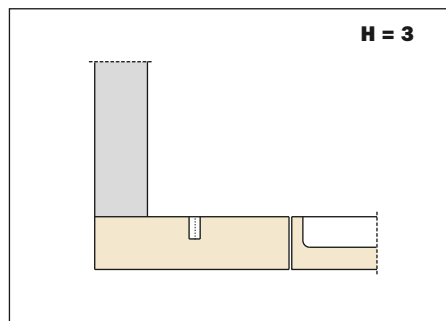
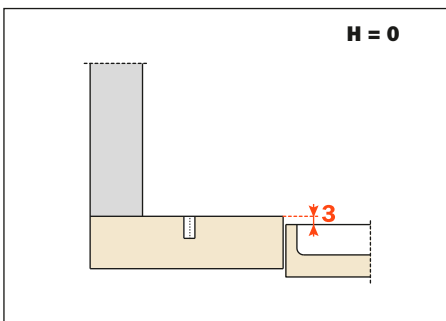


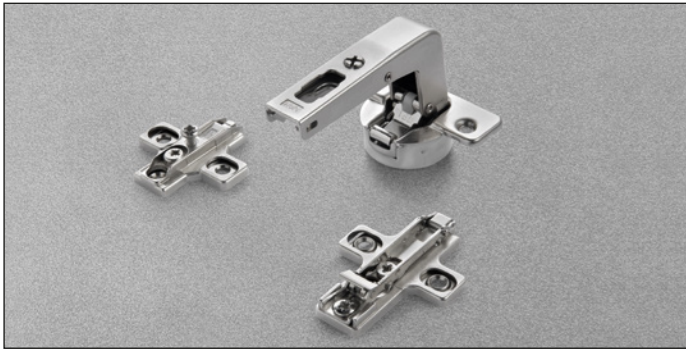
| Attachment | | Nickel |
|------------|------------|-----------|
| | Wood screw | C7P6NE9AC |
| | Dowel | C7R6NE9AC |
| | Logica | C7J6NE9AC |

E min:

- 61 mm for 200 Series mounting plates.
- 70 mm for Domi snap-on mounting plates.
- 74 mm for Domi snap-on mounting plates with back cam.

Heights of mounting plates for every application.





Technical information

Hinges with adjustable integrated soft-close mechanism operated by twin fluid dampers housed in the hinge cup. The decelerating effect is adjusted by using a simple switch.

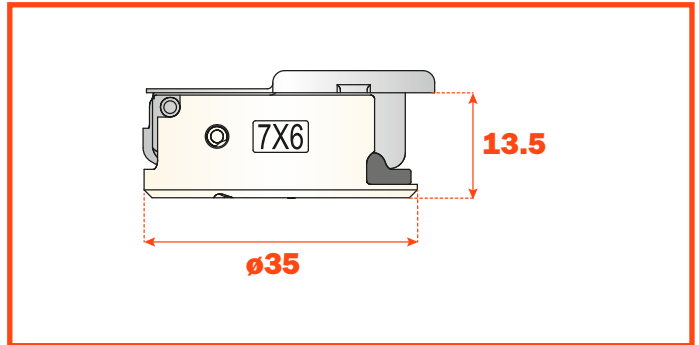
Overlay blind corner hinges.
Minimum 16 mm thick doors.
13.5 mm deep cup.

110° opening.
 Possible drilling distance on the door (K): from 3 to 6 mm.
 Compatible with all traditional 200 Series mounting plates and with all Domi snap-on mounting plates.

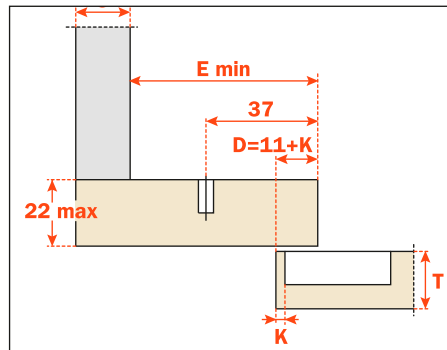
Packing • Boxes 150 pcs. • Pallets 3.600 pcs.

Use the tables “Drilling and attachments” at page 29 to complete the code number of the desired hinge.

***Check with your Salice sales representative or customer service for specific Titanium availability**



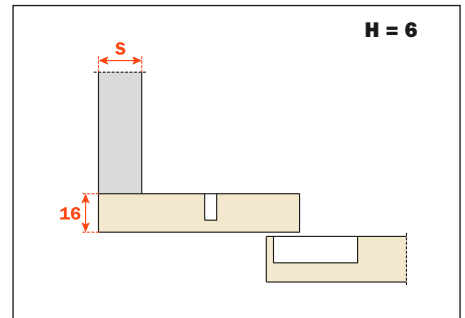
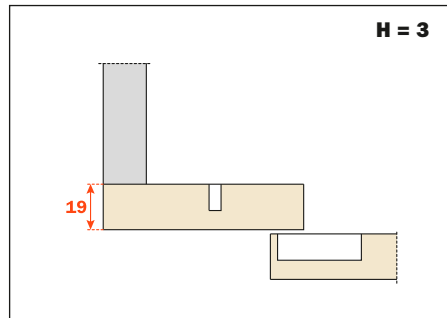
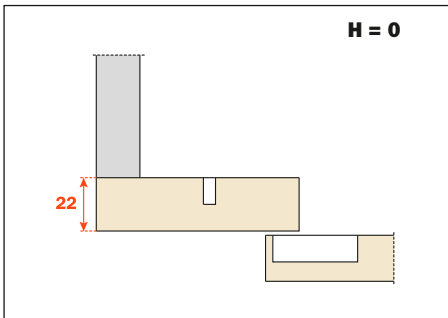
Overlay blind corner hinge



| Attachment | | Nickel |
|------------|------------|-----------|
| | Wood screw | C7P6NE9AM |
| | Dowel | C7R6NE9AM |

E min:
 • 61 mm for 200 Series mounting plates.
 • 70 mm for Domi snap-on mounting plates.
 • 74 mm for Domi snap-on mounting plates with back cam.

Heights of mounting plates for every application.



Accessories



Hinge arm cover caps

*Check with your Salice sales representative or customer service for specific Titanium availability

S2BX83H9__ - Nickel **S2BX83H6__ - Titanium**

Symmetrical steel screw cover cap, it can be personalized on request.

For 100, 200 and 700 Series hinges.

Min order quantity is 10,000 and a lead time of 10 weeks is required for personalized embossed cover caps.



S2MX83H9__ - Nickel **S2MX83H6__ - Titanium**

Symmetrical steel screw cover cap with personalized embossed logo.

For 100, 200 and 700 Series hinges.

Min order quantity of 10,000 and a lead time of 10 weeks is required for personalized cover caps.



S2XX83A1__

Nylon symmetrical screw cover cap with printed logo.

For 100, 200 and 700 Series hinges.

Min. order quantity is 10,000 and a lead time of 10 weeks is required for personalized printed cover caps. Excluded: 155° opening hinges.



S2XX83A1

Nylon symmetrical screw cover cap without printed logo.

For 100, 200 and 700 Series hinges.

Min. order quantity and lead time required for personalized cover caps. Excluded: 155° opening hinges.



Flange cover caps

*Check with your Salice sales representative or customer service for specific Titanium availability

S2XX85H9 - Nickel S2XX85H6 - Titanium



Steel flange cover cap, it can be personalized on request.

For all 100, 200, 700 Series.

Min order quantity of 10,000 and a lead time of 10 weeks is required for personalized printed cover caps.

S2CX85H9 - Nickel S2CX85H6 - Titanium



Steel flange cover cap with embossed logo.

For all 100, 200 and 700 Series,

Min order quantity of 10,000 and a lead time of 10 weeks is required for personalized embossed cover caps.

Spacers and gauge for Silentia hinges

S2XF86



Spacer to reduce the drilling depth for 155° hinges.

S2XF86BT = 0.6 mm
S2XF86AT = 1.2 mm
S2XF86KT = 1.8 mm

S2XX86



Spacer to reduce the drilling depth for 94°, 105° and 110° hinges.

S2XX86BT = 0.6 mm
S2XX86AT = 1.2 mm
S2XX86KT = 1.8 mm

D_A_AC_SN



Gauge to check the diameter and the depth of the drilling.

D1A6AC3SN = 12 mm
D2ABACGSN = 15.5 mm
D7A6ACYSN = 13.5 mm

Screwdriver

D2A7XCXCP

Pozi screwdriver

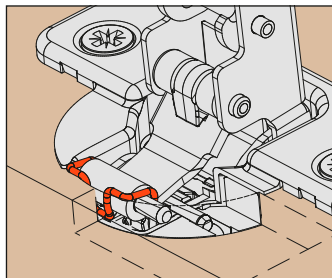
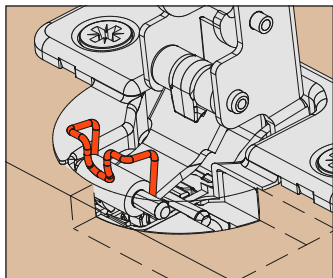


Angle reduction

S2A637XF



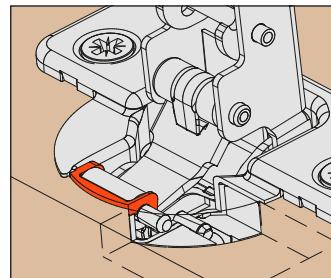
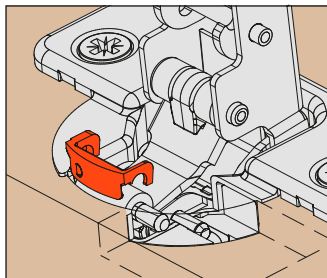
For all 200 and 700 Series hinges, it limits opening at about 86°.



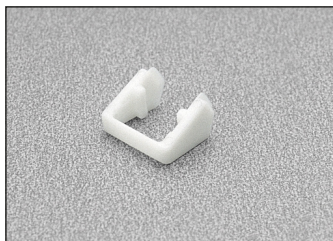
S1E637XY



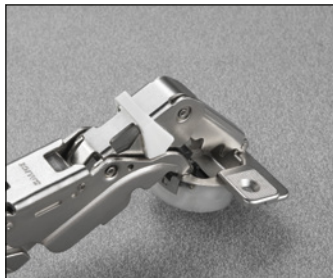
For all 100 and 700 Series hinges, it limits opening at about 86°.



S2BF37XY



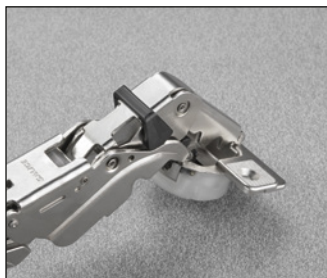
For 155° hinges, it limits opening at 130°.



S2AF37X3



For 155° hinges, it limits opening at 135°.



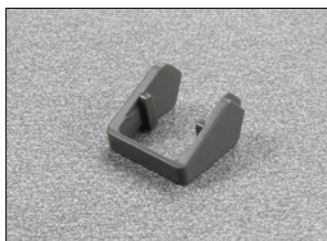
S2BM37XG



For 155° hinges, it limits opening at 92°.



S2AM37XG



For 155° hinges, it limits opening at 120°.



Opening, Lifting, Sliding & Storing All from Salice

To see more of Salice's innovative solutions, please visit www.saliceamerica.com or www.salicecanada.com

Hinge systems



Lift systems



Runner & Drawer systems



Sliding door systems



Kitchen accessories



Closet accessories



SALICE AMERICA INC.

2123 CROWN CENTRE DRIVE
CHARLOTTE, NC 28227
TEL: 1.800.222.9652
TEL: 704.841.7810
FAX: 704.841.7808
info.salice@saliceamerica.com
www.saliceamerica.com

SALICE CANADA INC.

3500 RIDGEWAY DRIVE, UNIT #1
MISSISSAUGA, ONTARIO
L5L 0B4
TEL: 1.800.361.1045
TEL: 905.820.8787
FAX: 905.820.7226
info.salice@salicecanada.com
www.salicecanada.com